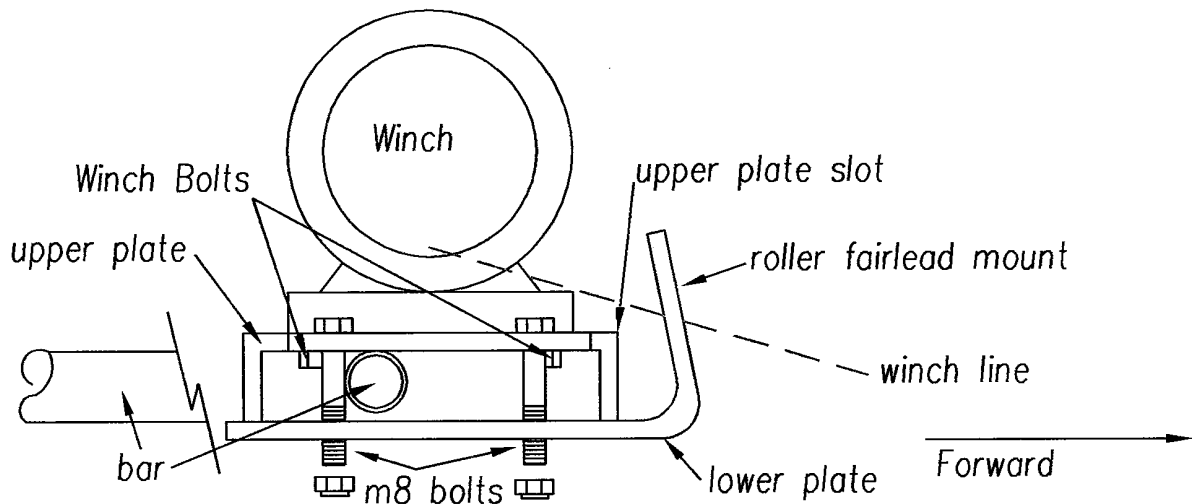


## WINCH MOUNTING PLATE



### KAWASAKI BRUTE FORCE K-WMP-750BF 05-07



First remove the bumper plastic, you will reinstall after Winch Mounting Plate (WMP) has been installed. The WMP consist of 2 plates, Winch Plate (upper) and Roller Fairlead Plate (lower). Place the upper plate over the 2 round bars that run to the front bumper, making sure that the slot in one of the upper plate bends is facing forward. Place the winch on top of the upper plate, install and tighten the winch bolts from underneath. Place the lower plate under the round bars so as to sandwich the bars between the plates. Install 4 plate bolts from top side thru both plates and tighten the lock nuts. Free spool about 2 feet of cable off the winch, passing it thru the roller fairlead window then thru the roller fairlead. Install the 2 bolts and tighten. Install the winch line hook to the winch line and spool up slack in line. Reinstall the plastic.